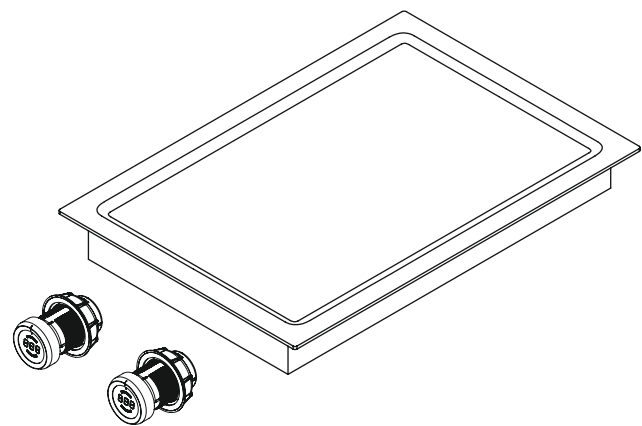
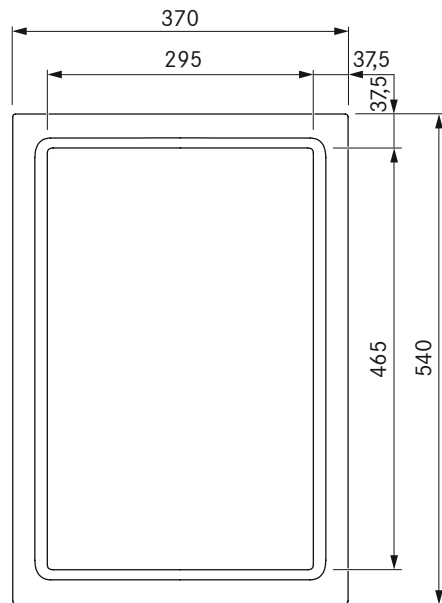
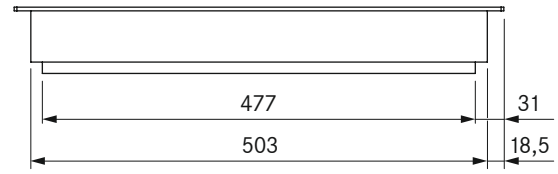
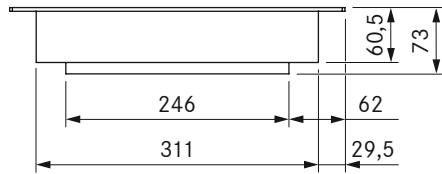


## BORA Tepan stainless steel grill with 2 cooking zones



### Technical data

Supply voltage	380 – 415 V 2N
Frequency	50 Hz
Maximum power consumption	4.8 kW
Maximum power rating	4.8 kW
Minimum fuse protection	2 x 16 A
Temperature control (power levels)	150 – 230 °C, 250 °C (1 – 9, P)
Temperature control range	70 – 250 °C
Weight (incl. accessories/packaging)	19.7 kg
Surface material	Stainless steel, brushed
Power supply cable	1.5 m
Dimensions (WxDxH)	370 x 540 x 73 mm
Front cooking zone size	295 x 230 mm
Front cooking zone power	2400 W
Rear cooking zone size	295 x 230 mm
Rear cooking zone power	2400 W

### Product description

- Full-surface Tepan stainless steel grill with two cooking zones
- 4 mm deep-drawn and brushed stainless steel with rounded inner corners for simple cleaning
- Power setting
- Bridging function
- Residual heat display
- Pause function
- Timer function
- Configuration menu
- Cooking zone indicator on the control knob
- Demo mode
- Pan size recognition
- Automatic heat-up function
- Digital power display on the control knob
- Cleaning function
- Childproofing feature
- Safety shut-down

### Scope of delivery

- Tepan stainless steel grill PKT 11
- 2 x control knob
- Mounting straps
- Tepan scraper PTTS 1
- Height adjustment plate set
- Operating and installation instructions
- 2 x connection cable control knob
- Connection cable for the extractor
- Power supply cable (L1, L2, N, PE)

- Make sure that the area below the Tepan cooktop is sufficiently ventilated.