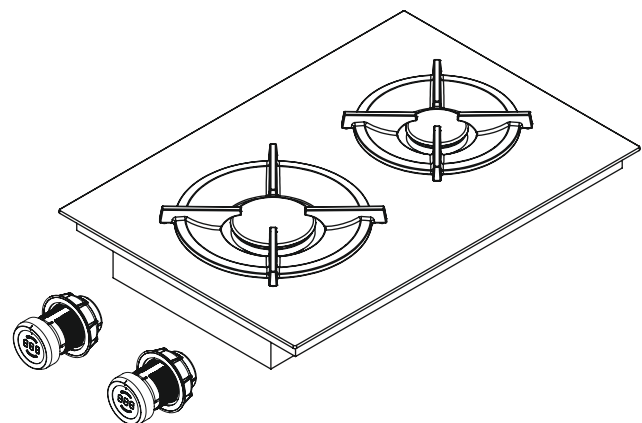
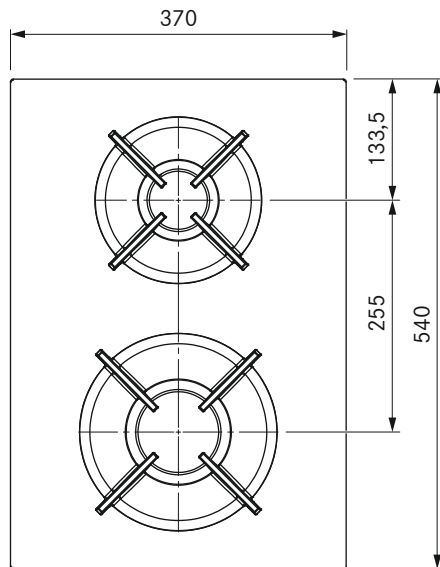
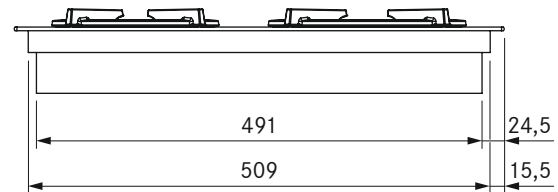
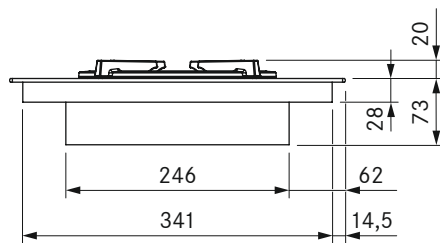


## BORA gas glass ceramic cooktop with 2 cooking zones



### Technical data

Supply voltage	220 - 240 V
Frequency	50/60 Hz
Maximum power gas cooktop	4.75 kW
Front high-power burner	600 - 3000 W
Rear normal burner	350 - 1750 W
Maximum power rating	20 W
Minimum fuse protection	1 x 0.5 A
Power levels	1 - 9
Weight (incl. accessories/packaging)	12.4 kg
Surface material	SCHOTT CERAN®
Power supply cable	1.5 m
Dimensions (WxDxH)	370 x 540 x 73 mm

### Product description

- 2-flame gas glass ceramic cooktop with high-power and normal burners
- Removable pan support
- Nozzles for liquid gas 30 mbar / 50 mbar must be ordered separately
- Automatic reignition
- Warming function
- Power setting
- Residual heat display
- Pause function
- Timer function
- Configuration menu
- Can be mounted rotated around 180°
- Cooking zone indicator on the control knob
- Demo mode
- Pan size recognition
- Automatic heat-up function
- Digital power display on the control knob
- Childproofing feature
- Safety shut-down

### Scope of delivery

- Gas glass ceramic cooktop PKG11
- 2 x control knob
- Mounting straps
- 2 x cast iron pan support
- Nozzle set, 20 mbar, natural gas
- Flexible gas connection tube for simple installation, length: 500 mm, 1/2" outer thread
- Glass ceramic scraper
- Height adjustment plate set
- Operating and installation instructions
- 2 x connection cable control knob
- Connection cable for the extractor
- Power supply cable (L, N, PE)

### Accessories

- Nozzle set G20/25 mbar
- Nozzle set G25/25 mbar
- Nozzle set G30/28-30 mbar or G31/37 mbar
- Nozzle set G30/50mbar

■ Please note the local regulations and connection requirements applicable to gas cooktops!