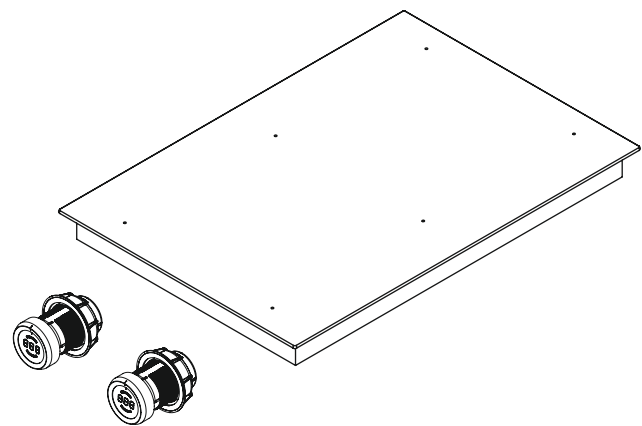
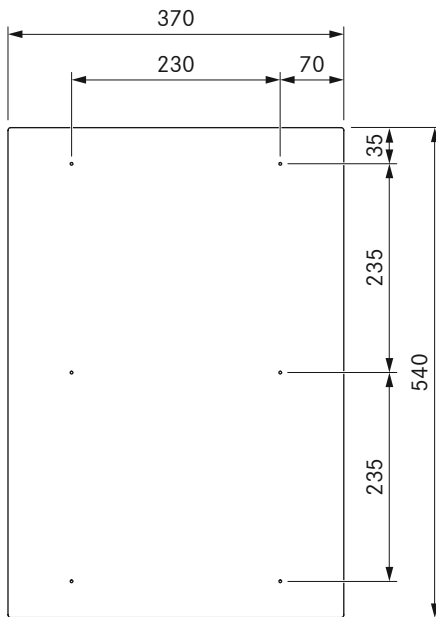
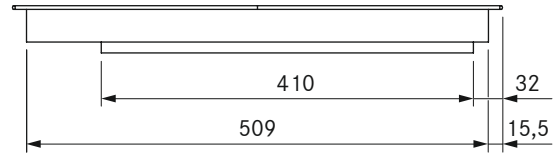
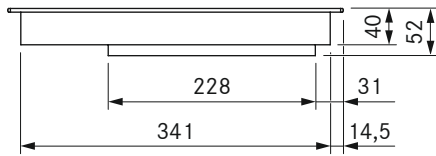


BORA surface induction glass ceramic cooktop with 2 cooking zones



Technical data

Supply voltage	220 - 240 V
Frequency	50 Hz
Maximum power consumption	3.7 kW
Maximum power rating	3.7 kW
Minimum fuse protection	1 x 16 A
Power levels	1 - 9, P
Weight (incl. accessories/packaging)	9.7 kg
Surface material	SCHOTT CERAN®
Power supply cable	1.5 m
Dimensions (WxDxH)	370 x 540 x 52 mm
Front cooking zone size	230 x 230 mm
Front cooking zone power	2100 W
Front cooking zone power setting	3700 W
Rear cooking zone size	230 x 230 mm
Rear cooking zone power	2100 W
Rear cooking zone power setting	3700 W

Product description

- Warming function
- Power setting
- Bridging function
- Residual heat display
- Pause function
- Timer function
- Configuration menu
- Cooking zone indicator on the control knob
- Demo mode
- Pan size recognition
- Automatic heat-up function
- Digital power display on the control knob
- Childproofing feature
- Safety shut-down

- Please note that induction-compatible cookware must be used on induction cooktops
- Make sure that the area below the induction cooktop is sufficiently ventilated

Scope of delivery

- PKFI11 surface induction glass ceramic cooktop
- 2 x control knob
- Mounting straps
- Glass ceramic scraper
- Height adjustment plate set
- Operating and installation instructions
- 2 x connection cable control knob
- Connection cable for the extractor
- Power supply cable (L, N, PE)

Accessories

- UGPI1 grill pan