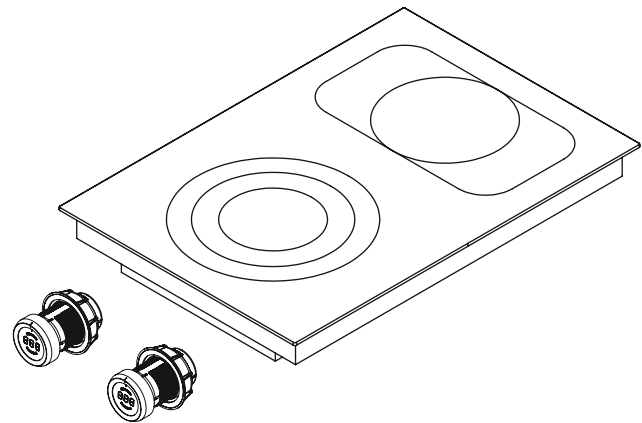
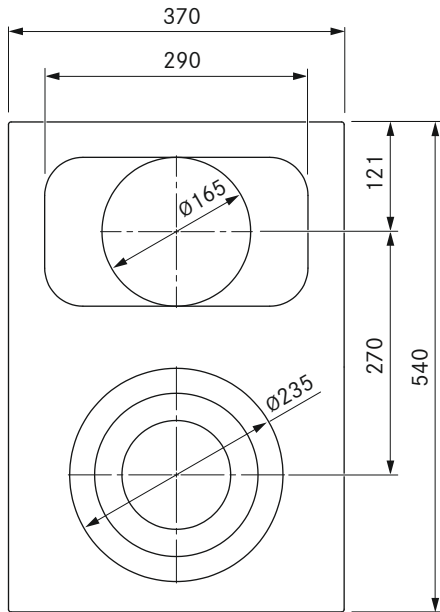
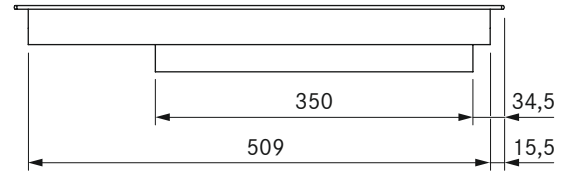
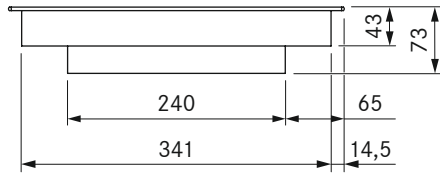


BORA HiLight glass ceramic cooktop with 2 cooking zones: 3-ring/roaster



| Technical data | |
|---------------------------------------|--|
| Supply voltage | 380 - 415 V 2N |
| Frequency | 50/60 Hz |
| Maximum power consumption | 5.1 kW |
| Maximum power rating | 5.1 kW |
| Minimum fuse protection | 2 x 16 A |
| Power levels | 1 - 9, (switching of 2/3 rings/roaster) |
| Weight (incl. accessories/packageing) | 9.1 kg |
| Surface material | SCHOTT CERAN® |
| Power supply cable | 1.5 m |
| Dimensions (WxDxH) | 370 x 540 x 73 mm |
| Front cooking zone size | Ø 120/180/235 mm |
| Front cooking zone power | 800/1600/2500 W |
| Number of front cooking zone rings | 3 |
| Rear cooking zone size | Ø 165 mm/290 x 165 mm |
| Rear cooking zone power | 1500 W/2600 W |

| Product description |
|---|
| ■ HiLight glass ceramic cooktop with 3-ring/roaster switching |
| ■ Residual heat display |
| ■ Childproofing feature |
| ■ Demo mode |
| ■ Can be mounted rotated around 180° |
| ■ Configuration menu |
| ■ Timer function |
| ■ Safety shut-down |
| ■ Automatic heat-up function |
| ■ Digital power display on the control knob |
| ■ Pause function |
| ■ Warming function |

| Scope of delivery |
|---|
| ■ HiLight glass ceramic cooktop PKC3B |
| ■ 2 x control knob |
| ■ Mounting straps |
| ■ Glass ceramic scraper |
| ■ Height adjustment plate set |
| ■ Operating and installation instructions |
| ■ 2 x connection cable control knob |
| ■ Connection cable for the extractor |
| ■ Power supply cable (L1, L2, N, PE) |