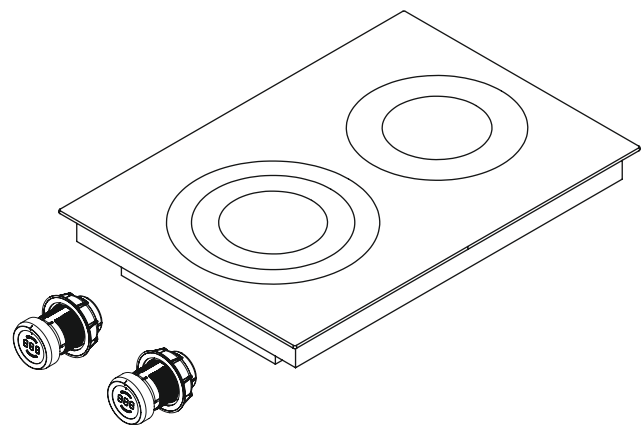
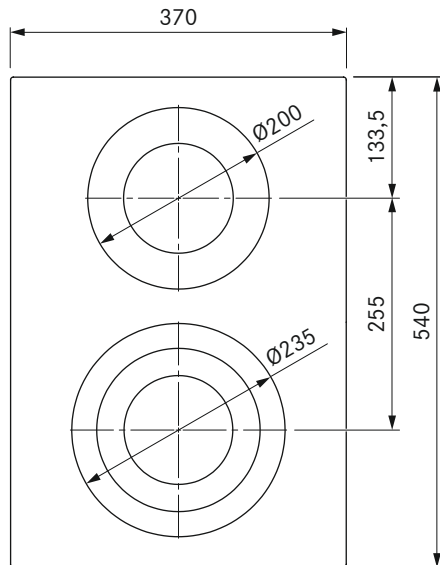
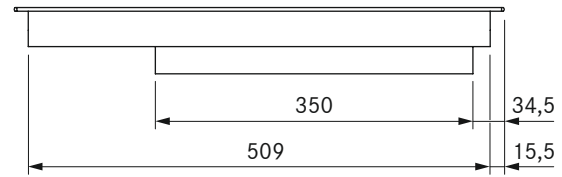
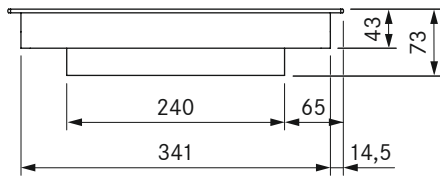


BORA HiLight glass ceramic cooktop with 2 cooking zones: 3-ring/2-ring



Technical data

Supply voltage	380 - 415 V 2N
Frequency	50/60 Hz
Maximum power consumption	4.4 kW
Maximum power rating	4.4 kW
Minimum fuse protection	2 x 16 A
Power levels	1 - 9, (Switching of 2/3 rings)
Weight (incl. accessories/packaging)	9.1 kg
Surface material	SCHOTT CERAN®
Power supply cable	1.5 m
Dimensions (WxDxH)	370 x 540 x 73 mm
Front cooking zone size	Ø 120/180/235 mm
Front cooking zone power	800/1600/2500 W
Number of front cooking zone rings	3
Rear cooking zone size	Ø 120/200 mm
Rear cooking zone power	800/1900 W
Number of rear cooking zone rings	2

Product description

- HiLight glass ceramic cooktop with 3-ring/2-ring switching
- Residual heat display
- Childproofing feature
- Demo mode
- Can be mounted rotated around 180°
- Configuration menu
- Timer function
- Safety shut-down
- Automatic heat-up function
- Digital power display on the control knob
- Pause function
- Warming function

Scope of delivery

- HiLight glass ceramic cooktop PKC32
- 2 x control knob
- Mounting straps
- Glass ceramic scraper
- Height adjustment plate set
- Operating and installation instructions
- 2 x connection cable control knob
- Connection cable for the extractor
- Power supply cable (L1, L2, N, PE)